



User Manual



ELECTRIC POLE HEDGE TRIMMER IESH 1000



Original instructions

Great care has gone into the manufacture of this product and it should therefore provide you with years of good service when used properly. In the event of product failure within its intended use over the course of the first 3 years after date of purchase, we will remedy the problem as quickly as possible once it has been brought to our attention. In the unlikely event of such an occurrence, or if you require any information about the product, please contact us via our helpline support services, details of which are to be found both in this manual and on the product itself.



PRODUCED IN CHINA FOR:

ALDI STORES LTD. PO BOX 26, ATHERSTONE WARWICKSHIRE, CV9 2SH.

ALDI STORES (IRELAND) LTD. PO BOX 726, NAAS, CO. KILDARE. Visit us at www.aldi.com

AFTER SALES SUPPORT

GB 0345 693 9277 IRE 1890 882374

www.b-gr8.co.uk

MODEL: IESH 1000

08/2017

3 YEAR WARRANTY



Product Info



www.aldi.co.uk

+ VIDEO

Product Info



www.aldi.co.uk

+ VIDEO

QR codes take you where you want to go quickly and easily

Whether you require **product information**, **spare parts** or **accessories**, details on **warranties** or **after sales services**, or if you want to watch a **product demonstration video**, our QR codes will take you there in no time at all.

What is a QR code?

A QR code (QR = Quick Response) is a type of matrix that can be read with a smartphone camera and that contains a link to a website or contact details, for example.

Advantage: You do not need to manually enter a website address or contact details.

How it works

To scan the QR code, all you need is a smartphone with QR code reader software and an internet connection. This type of software can be downloaded for free from your app store.

Try it out now

Just scan the QR code with your smartphone and find out more about the ALDI product you have purchased.

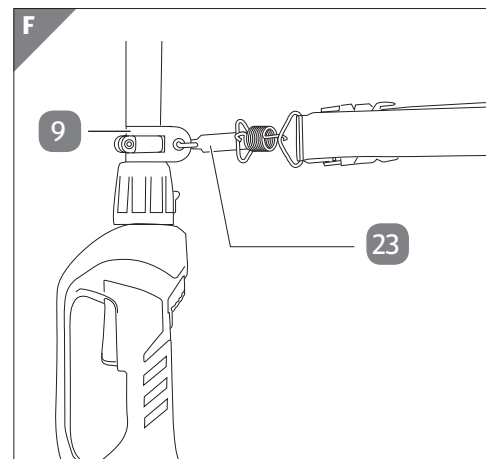
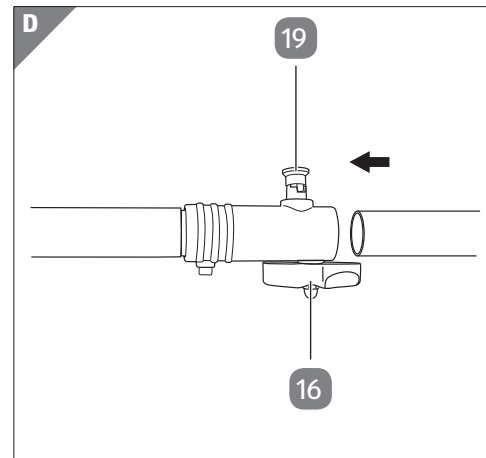
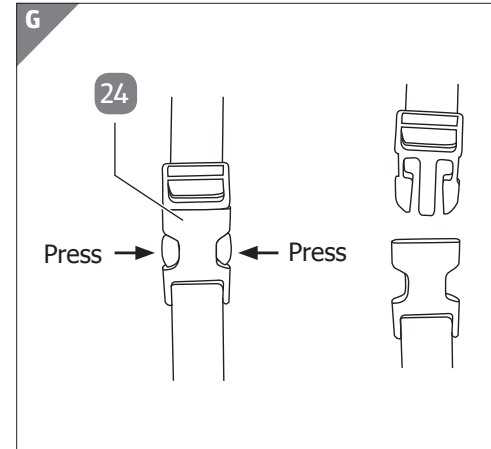
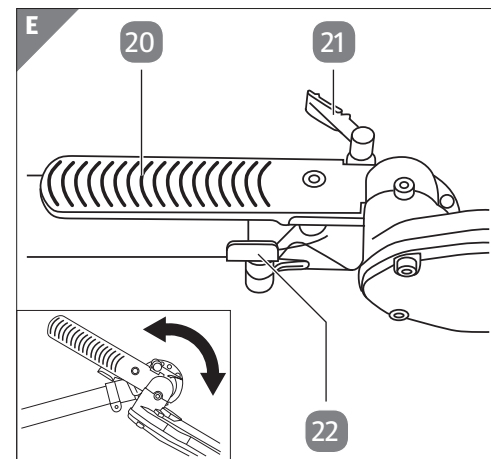
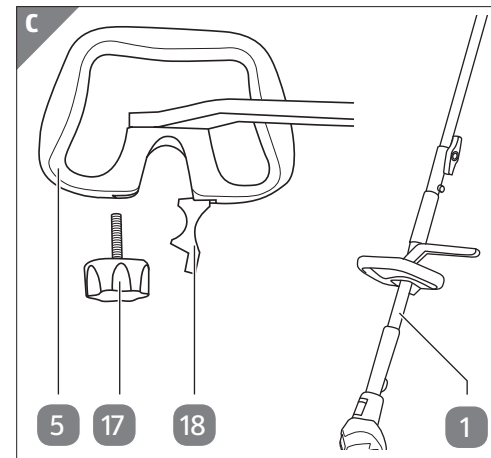
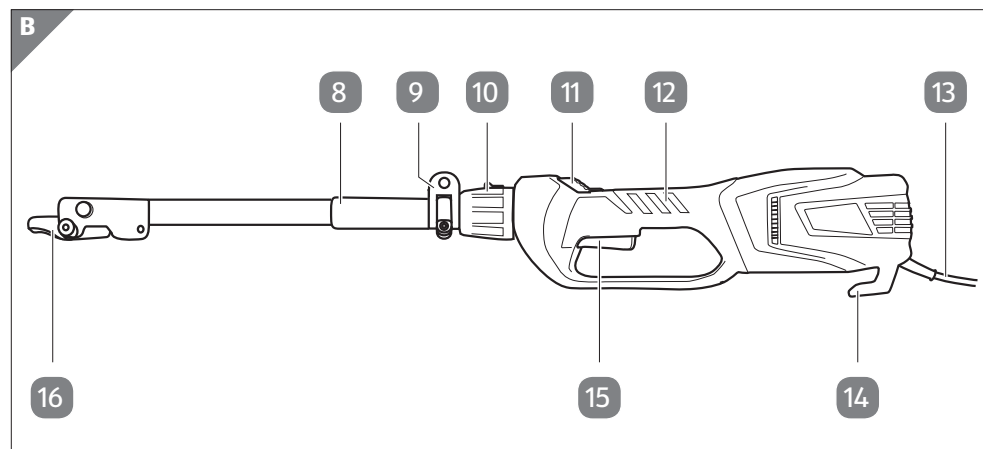
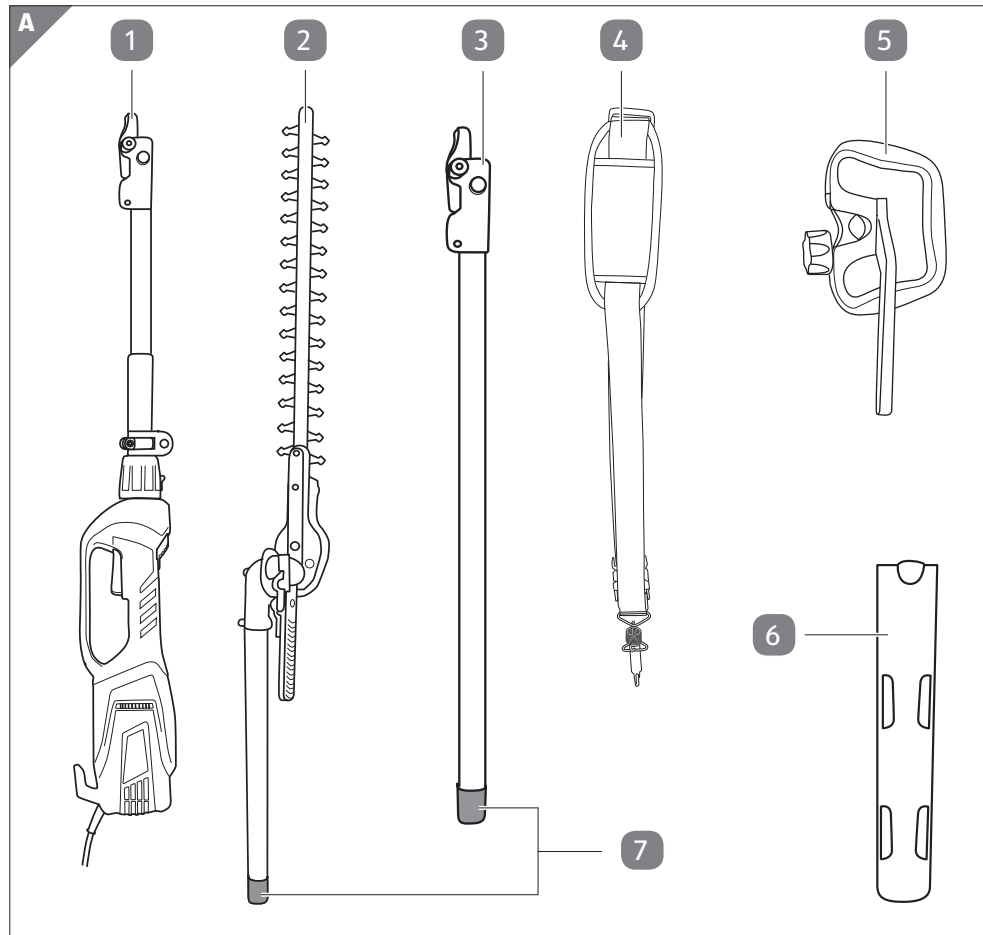
Your ALDI Service Portal

All details mentioned above can also be found in the ALDI Service Portal at www.aldi.co.uk.

Depending on your tariff plan you may be charged for the connection.

Contents

- Overview4
- Use.....5
- Package contents/device parts.....6
- General information.....7
 - Reading and storing the user manual7
 - Explanation of symbols7
- Safety8
 - Scope of use.....8
 - Residual risks.....9
 - General safety instructions for electrical power tools.....9
- Supplementary safety instructions12
- First use.....16
 - Checking the hedge trimmer and package contents.....16
 - Hedge trimmer assembly.....17
- Using the hedge trimmer.....18
 - Adjusting the rear handle angle18
 - Adjusting the hedge shears angle19
 - Turning the hedge trimmer on and off19
- Hedge trimming tips20
- Safety instructions for mains cord damage.....22
- Cleaning.....22
- Maintenance23
- Storage23
- Troubleshooting.....24
- Spare parts24
- Technical data25
- Declaration of conformity.....26
- Disposal.....28
 - Disposing of the packaging28
 - Disposing of the hedge trimmer28



Package contents/device parts

- | | |
|-------------------------|--|
| 1 Main rod | 13 Mains cord |
| 2 Trimmer rod | 14 Mains cord holder |
| 3 Extension rod | 15 On/off trigger |
| 4 Shoulder strap | 16 T-screw |
| 5 Front handle | 17 Front handle screw |
| 6 Blade guard | 18 Mounting clamp |
| 7 Protective cap, 2x | 19 Safety knob |
| 8 Cushioned grip | 20 Adjusting lever (for adjusting the blade angle) |
| 9 Shoulder strap holder | 21 Release lever |
| 10 Position switch | 22 Locking lever |
| 11 Trigger safety | 23 Shoulder strap clip |
| 12 Rear handle | 24 Quick-release buckle |